

Product description

The E-PURE ASPRA S400 permanently removes viruses, bacteria, harmful dust, fine dust, pollen and fungi from the air in the room. Due to the standard integrated active carbon filter, the air purifier also removes gases and odors from the air.

The E-PURE ASPRA S400 is specifically designed for air purification in spaces smaller than 200 m³ such as small shops, waiting areas, offices, elevators, consultation and treatment rooms, hallways etc.

We offer three types of this filter:

1. S400-L - Lite model with an on/off switch.
2. S400-M - Medium model with a speed variator.
3. S400-S - Smart model which measures the air quality in the room and controls the air purifier accordingly.

The E-PURE ASPRA products are tested by individual institutes such as TNO, VITO and ECN. Their results confirm the technology is very effective for the removal up to 99% of all atmospheric particles between 0.1 and 10 micron.

Benefits

- Efficient removal of fine dust
- High filtration efficiency (99%)
- Captures and kills viruses
- Outperforms HEPA technology
- Healthy clean indoor air
- No risk of fungal growth and mold
- Mobile air purification (plug-and-play)
- Low noise level
- Low energy usage and cost effective
- Low maintenance costs

What will be removed from the air?



Fine dust Viruses Bacteria Fungi Smells Gases

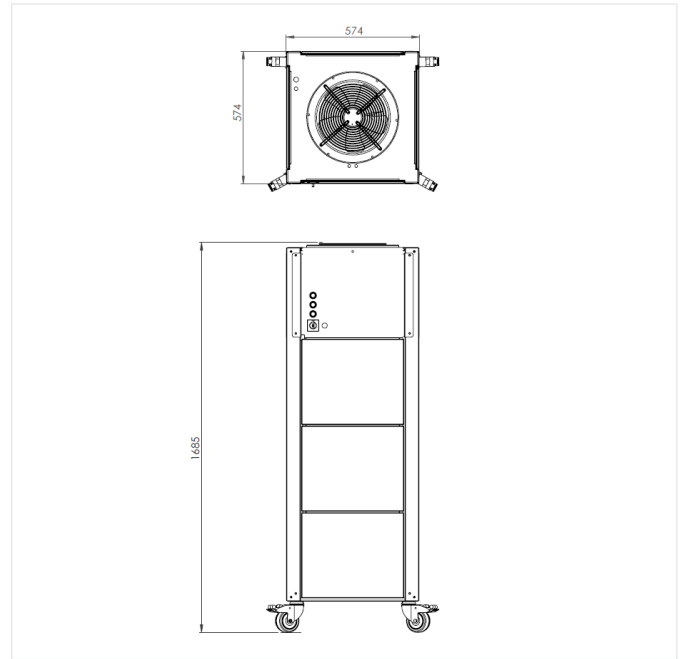
Product details

Capacity	400 m ³ /h
Power	<20 W
Power input	~230 V/ 50 - 60 Hz
Sound	max. 49 dB(A)
Air cleaning technique	ASPRA technology and active carbon filter
Collectors included	1 x collector, 1 x active carbon filter
Efficiency	99%
Conditions	Indoor (0° C - 50° C)
Installation	Freestanding (horizontal or vertical) or wall mounting
Size	675 x 290 x 375 mm
Weight	16 kg
Material	Galvanised steel
Colour	White (RAL 9016)

Type	Settings	Code
S400-L	On / Off	IEBE000001
S400-M	Speed variation, manual control	IEBE000002
S400-S	Decentral or via App, manual and/or automatically	IEBE000003

Spare parts	Code
E-PURE S-C1 Collector kit	IEZA000004
E-PURE S-AC Activated carbon layer	IEZB000005
E-PURE S-WB Wall mounting bracket	IEZX000002
E-PURE S-SL Support leg for floor standing	IEZX000003

Filters.EPUREASPRAS400.1.4EN



Product description

The E-PURE ASPRA M2500 is a mobile filter, specifically designed for usage in large rooms.

The E-PURE ASPRA M2500 is well suited for usage in industrial surroundings, such as raw material processing, food processing, metallurgy, woodworking, construction (including removing asbestos from the air), plastic processing, workshops, equipment storage, laboratories, smoking cabins and large print shops. The application can also be applied in public buildings such as airports, subway and train stations, shopping malls and community centres.

The E-PURE ASPRA products are tested by individual institutes such as TNO, VITO and ECN. Results confirm our technology is very effective for the removal up to 99% of all atmospheric particles between 0.1 and 10 micron.

Benefits

- Efficient removal of fine dust
- Outperforms HEPA technology
- High filtration efficiency (99%)
- No microbial growth in filters
- Inactivates and removes viruses
- Removes gases and odors from the air by adding Active Carbon Filters
- Flexible placement (stand alone)
- Low energy consumption and cost efficient
- Low noise level
- Low maintenance

What will be removed from the air?



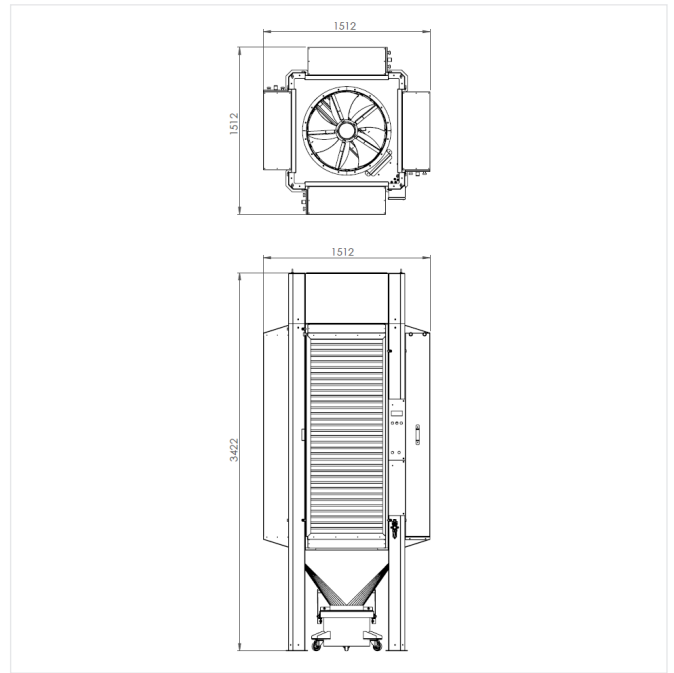
Fine dust Viruses Bacteria Fungi Smells* Gases*

*Optional

Product details	
Code	IEBC000001
Settings	Variable speeds
Outflow sides	4
Capacity	2500 m ³ /h
Power consumption	187 W
Power input	~230 V/ 50 - 60 Hz also available ~110 V
Noise level	61 dB(A) max with aerodynamic inlet
Filtration efficiency	99%
Conditions	Indoor (0° C - 50° C)
Size	574 x 574 x 1685 mm
Weight	85 kg
Material	Galvanised steel + coating
Air cleaning technique	ASPRA (optional M-AC Active Carbon)
Colours	Grey (RAL 7011 & RAL 7042)
Installation	Stand alone
Regulation	Decentral, manual
Including	Collectors and aerodynamic inlet

Spare parts	Code
E-PURE M-C4 Collector kit (set of 12)	IEZA000002
E-PURE M-AC Active carbon filter (set of 12)	IEZB000003
E-PURE M-RC Replacement package (grid and active carbon filter)	IEZB000006

Filters.EPUREASPRA M2500.2020.2.1EN



Product description

This powerful and unique filter easily and effectively removes large dust concentrations. Ideal for application in steel processing, paper processing, factories, welding workplaces, agricultural intermediate spaces, distribution centers, public facilities and more.

The E-PURE ASPRA air purifier has a two-stage filtration: first, the filter captures 99% of all PM10, PM2.5, PM1 and ultra-fine dust (nano-particles) in a positive ionization process inside the system. Subsequently, post-filtering takes place by means of special open-structure collectors. Thanks to this two-stage filtration and the self-cleaning system, the E-PURE ASPRA P10000-4C is very efficient.

The E-PURE ASPRA products are tested by individual institutes such as TNO, VITO and ECN. Their results confirm the technology is very effective for the removal up to 99% of all atmospheric particles between 0.1 and 10 micron.

Benefits

- Efficient removal of fine dust
- Outperforms HEPA technology
- High capacity combined with high efficiency (99%)
- No microbial growth in filters
- Kills and inactivates viruses
- Removes gases and odours from the air by adding Active Carbon Filter
- Low energy consumption and cost efficient
- Self-cleaning system
- Easy dust collection
- Low noise level
- Low maintenance
- Easy filter replacement

What will be removed from the air?



Fine dust Viruses Bacteria Fungi Smells* Gases*

*Optional

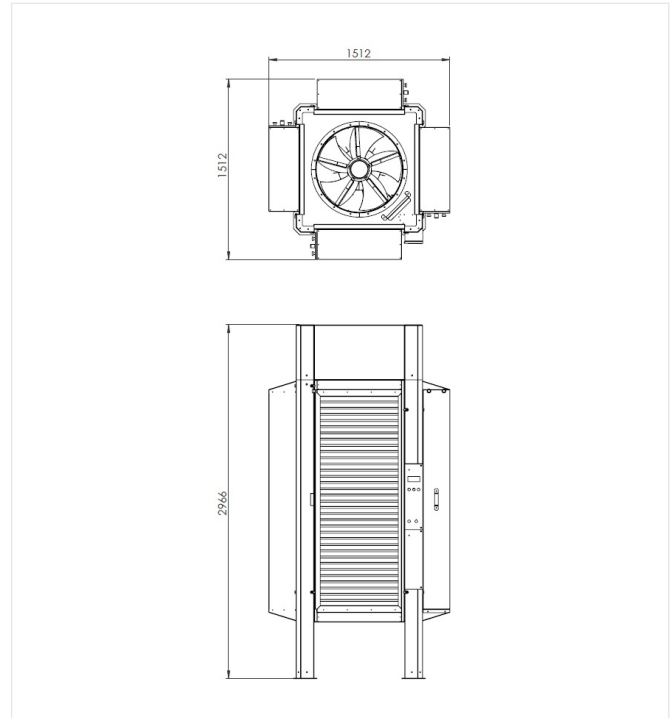
Product details

Code	IEAA000001
Capacity	10.000 m ³ /h
Power consumption	100 (4000 m ³ /h) - 700 W (10.000 m ³ /h)
Power input	~230 V / 50 - 60 Hz
Noise level	58 dB (LpA)
Filtration efficiency	99%
Size	1512 x 1512 x 3422 mm
Air cleaning technique	ASPRA technology (optional Active Carbon Filter), self-cleaning
Including	12 collectors
Installation	Free-standing (4 outflow sides)
Conditions	Indoor (0 °C - 50 °C)
Settings	Variable Speeds
Material	Galvanised steel
Colour	Grey (RAL 7042 & RAL 7011)

Spare parts

Spare parts	Code
E-PURE P-C4 Collector kit (4 sides)	IEZA000001
E-PURE P-WF Washable Pre-filter (per side)	IEZB000001
E-PURE P-AC Active Carbon Filter (per side)	IEZB000002
E-PURE P-FS Flow sensor	IEZX000001

FiltersE-PUREASPRAP100004C.2.1EN



Product description

This powerful and unique E-PURE ASPRA P10000 filter effectively treats extremely large air volumes. It also permanently filters viruses, bacteria, harmful substances, fine dust, pollen and fungi from the air. It is a free-standing air purifier that can be expanded with a washable pre-filter and active carbon filter that neutralizes the gases and odours.

With a capacity of 10,000 m³/h, the E-PURE ASPRA P10000 is suitable for filtering air in large spaces. Think of distribution centers, production companies, theatres, fairs and public spaces such as shopping centers and conference rooms.

The E-PURE ASPRA products have been tested by various independent institutes such as TNO, VITO and ECN. Results show that 99% of the atmospheric particles are filtered by the ASPRA technique.

Benefits

- Efficient removal of fine dust
- Inactivates and kills viruses
- Outperforms HEPA technology
- High capacity combined with high efficiency (99%)
- No microbial growth in filters
- Removes gases and odours from the air by adding Active Carbon Filters
- Low energy consumption and cost efficient
- Low noise level
- Low maintenance
- Easy filter replacement

What will be removed from the air?



Fine dust Viruses Bacteria Fungi Smells* Gases*

*Optional

Product details

Code	IEBF000001
Capacity	10.000 m ³ /h
Power consumption	100 (4000 m ³ /h) - 700 W (10.000 m ³ /h)
Power input	~230 V/ 50 - 60 Hz
Noise level	58 dB (LpA)
Filtration efficiency	99%
Size	1512 x 1512 x 2966 mm
Air cleaning technique	ASPRA technology (optional Active Carbon Filter)
Including	12 collectors
Installation	Free-standing (4 outflow sides)
Conditions	Indoor (0 °C - 50 °C)
Settings	Variable Speeds
Material	Galvanised steel
Colour	Grey (RAL 7042 & RAL 7011)

Spare parts

Spare parts	Code
E-PURE P-C4 Collector kit (4 sides)	IEZA000001
E-PURE P-WF Washable Pre-filter (per side)	IEZB000001
E-PURE P-AC Active Carbon Filter (per side)	IEZB000002
E-PURE P-FS Flow sensor (per side)	IEZX000001

Filters.EPUREASPRA100004S1.3EN