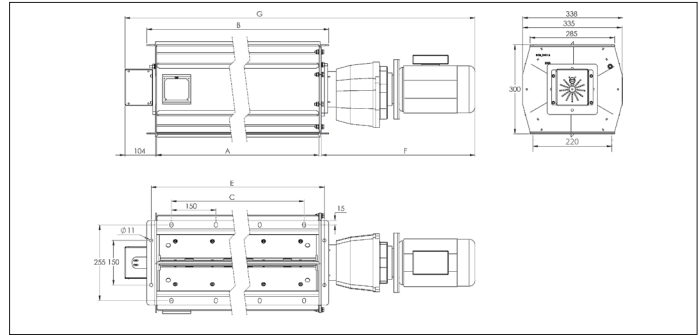
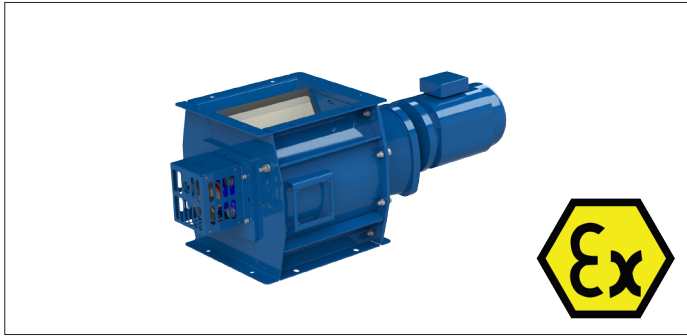


RVA-X ATEX Rotary valves



RVA-X ATEX rotary valves

The RVA-X ATEX rotary valves are designed to discharge dust and other materials from filters and cyclones and treat volumes ranging from 9 to 52 m³/h. They are equipped with a visual rotation indicator.

These rotary valves are produced according to the following harmonized directives/standards :

- 2014/34/EC : ATEX directives
- 2006/42/EC ; Machine directive
- 2014/35/EC ; Low voltage directive
- 2014/30/EC ; Electromagnetic compatibility directive

And are available in ATEX executions :

- RVA*-X1-06 : ATEX Zone 20 interior / Zone 21 exterior
- RVA*-X2-06 : ATEX Zone 20 interior / Zone 22 exterior
- RVA*-X3-06 : ATEX Zone 20 interior / Safe zone exterior

Material

St 37.2 black steel with primary paint and epoxy powder coating RAL 5010.

Type

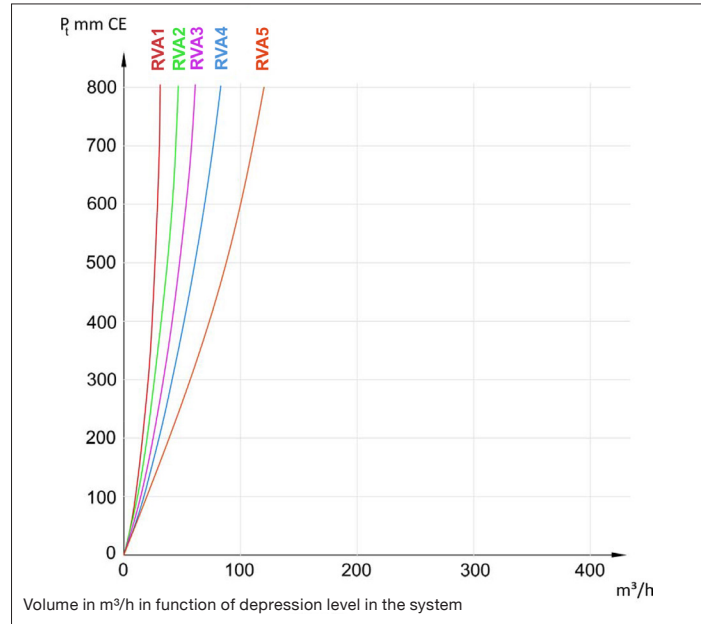
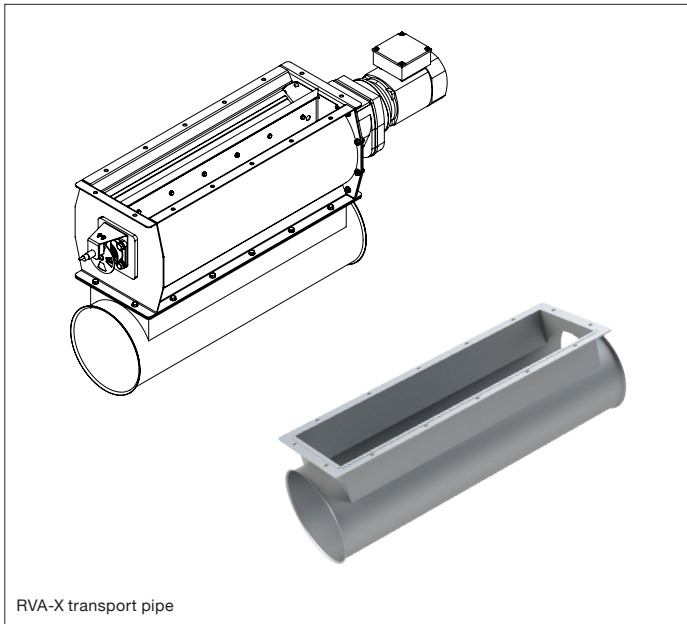
3 mm rolled plates welded together
End plates bolted to the body
6 chamber rotor with rubber blades

Options

- Other RAL colors

Accessories

- Rotation detector
- Counter flanges
- Replacement rubber blades
- Transport and discharge pipes

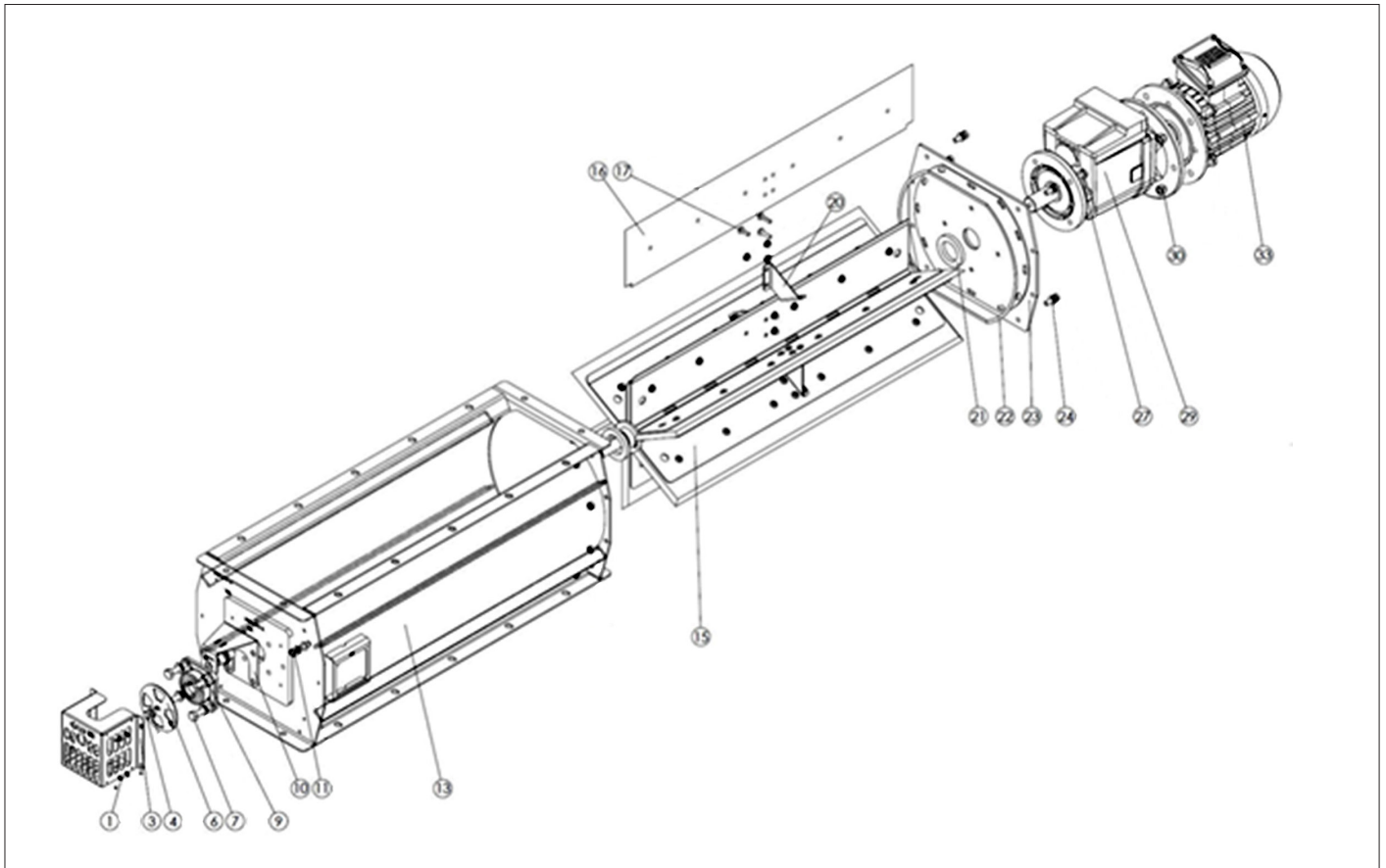


Model	Discharge volume (m ³ /h) ¹⁾	Rot. speed (rpm)	Mot. power (kW)	A (mm)	B (mm)	C (mm)	E (mm)	F (mm)	G (mm)	C modular (mm)	Weight (kg)
RVA1-Xi-06	9	19	0.37	250	316	150	286	418	782	1 x 150	48
RVA2-Xi-06	17	19	0.55	500	566	450	536	494	1108	3 x 150	74
RVA3-Xi-06	26	19	0.55	750	816	600	786	494	1359	4 x 150	91
RVA4-Xi-06	35	19	0.55	1000	1066	900	1036	494	1609	6 x 150	107
RVA5-Xi-06	52	19	0.55	1500	1566	1350	1536	494	2109	9 x 150	141

¹⁾ Volume output at 50% degree of filling

²⁾ 1, 2 or 3 according to ATEX marking on the rotary valve

RVA-X ATEX Rotary valves



Components list for ATEX rotary valve type RVA-X

Please only use original components to guarantee a worry free functioning of the rotary valves.

#	Part	Description
1	Bolt set for rotation disc cover	Bolts and washers M5 (4 pieces)
3	Rotating disc cover	Steel cover powder coated in RAL 5010
4	Bolt set for rotation disc	Bolt and washer for rotation disc
6	Rotation disc	Rotation disc powder coated in RAL 3020
7	Bolt set for flanged bearing	Bolts and washers M10 (4 pieces)
9	Bearing	Flanged bearing
10	Sensor holder	Sensor holder
11	Bolts set for front cover plate	Bolts, nuts and washers M8 (8 pieces)
13	Rotary valve body	Steel casing powder coated in RAL 5010
15	Rotary valve rotor	Steel rotor
16	Rotor blades for RVA-X rotary valve	Set of 6 neoprene rotor blade
17	Bolt set for rotor	Bolts, nuts and washers M6
20	Rotor vane reinforcement	Set of 5 vane reinforcements
21	Felt ring set	Felt ring (2 pieces)
22	Butyl strip	Butyl strip (1m)
23	Rear cover plate	Steel rear cover powder coated in RAL 5010
24	Bolt set for rear cover plate	Bolts, nuts and washers M8 (8 pieces)
27	Bolt set for gear	Bolts, nuts and washers M8 (4 pieces)
29	Gearbox	Gearbox for rotary valve RVA-ATEX
30	Bolt set for motor	Bolts, nuts and washers M8 (4 pieces)
33	Motor	B5 motor for rotary valve RVA-ATEX

NCEB000002 Position detector accessory for ATEX rotary valve type RVA-X

Type	Housing	Output function	Output	System	Connection	Mounting	Sensing range
M18 Housing detector	M18 x 55	NC (Normally closed)	NAMUR	Proximity Sensor	Cable	Flush	8 mm